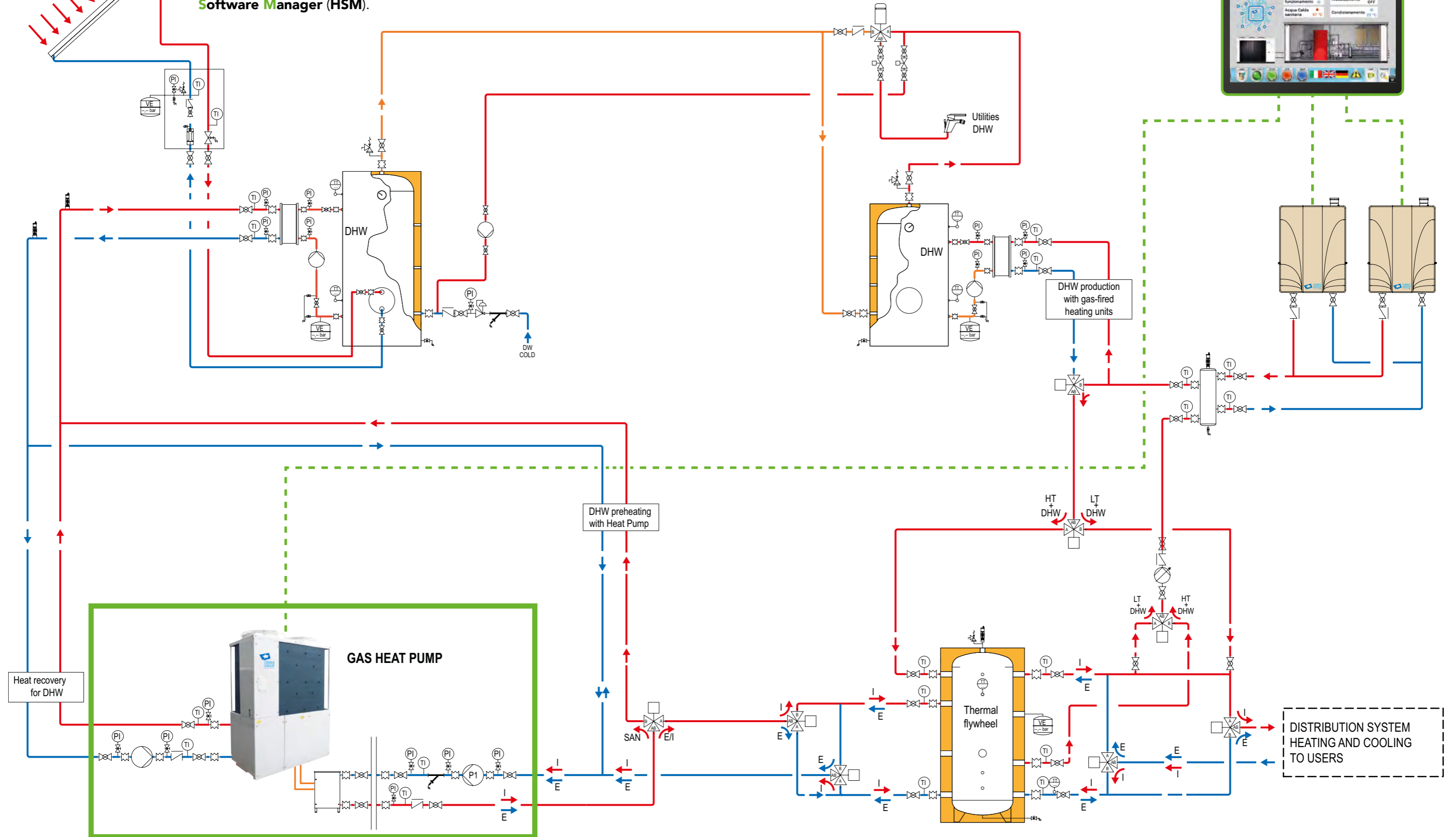
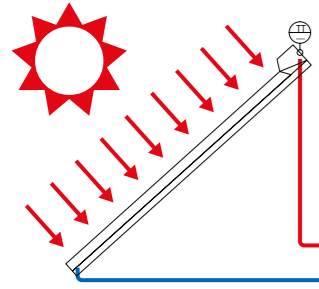


# HYBRID ECOCLIMA ELITE WITH GAS HEAT PUMP

## EXAMPLE PLANT

Even for the standard **Hybrid Ecoclima COMFORT (HY-CG)** central unit with gas heat pump, the evolution is represented by the **Hybrid Ecoclima ELITE (HY-CE)** model, the special "all-gas version", where design

choices have made it possible to **maximise efficiency in the recovery of green thermal energy from outside air**, even at very low temperatures, thanks to dedicated components consisting of solenoid valves, plate exchangers and temperature detectors, intelligently managed by the **Hybrid Software Manager (HSM)**.



**FACTORY MADE  
SMART HSM MANAGEMENT**

